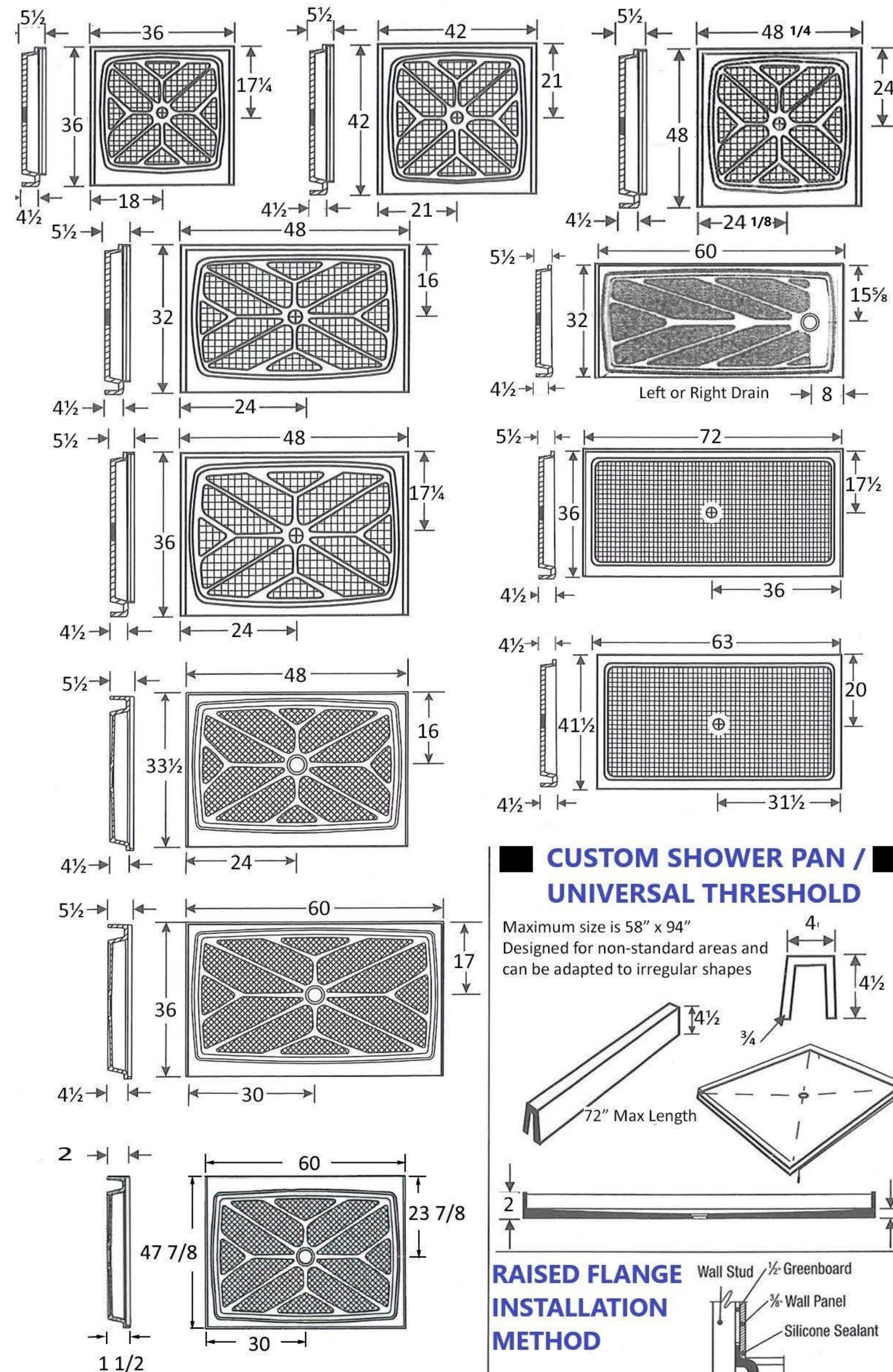
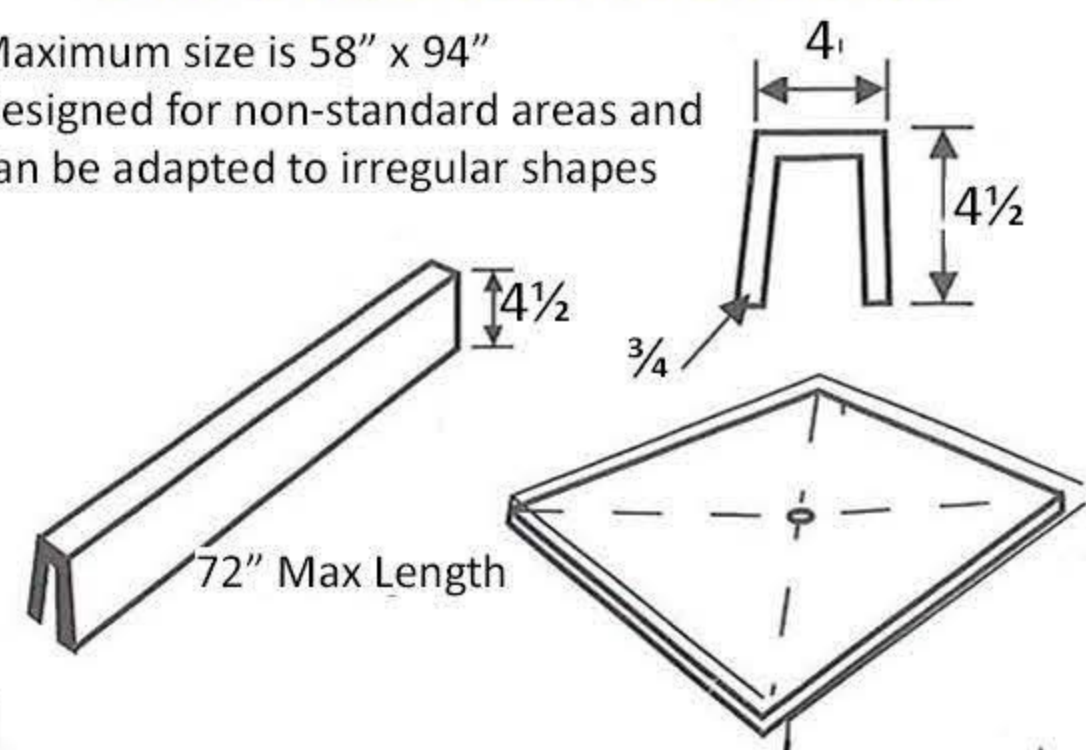


SHOWER BASES

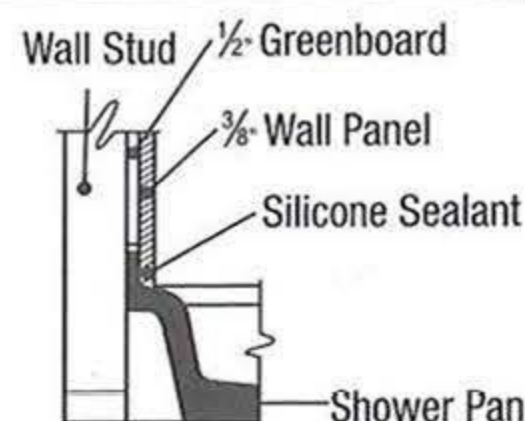


CUSTOM SHOWER PAN / UNIVERSAL THRESHOLD

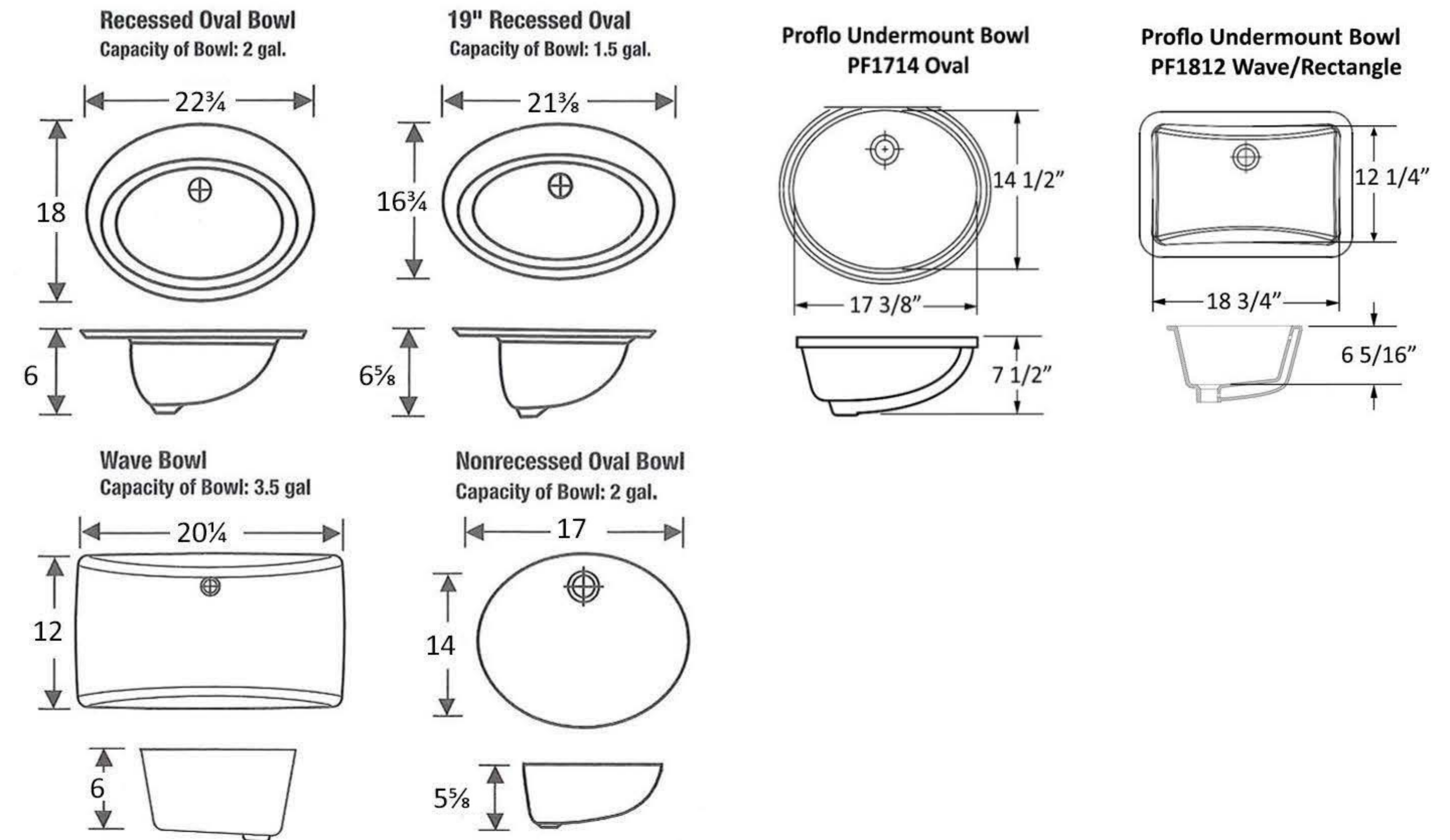
Maximum size is 58" x 94"
Designed for non-standard areas and can be adapted to irregular shapes



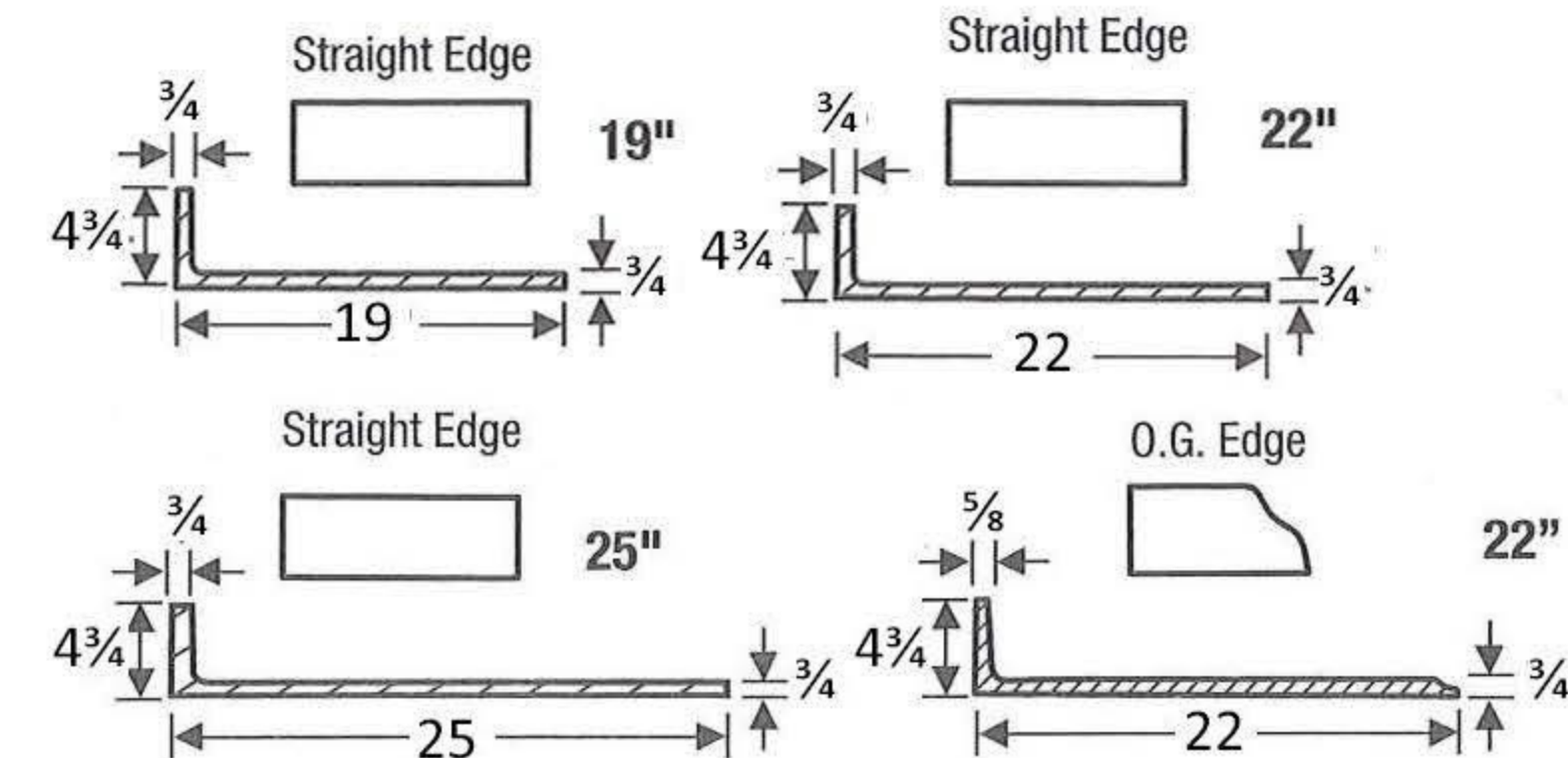
RAISED FLANGE INSTALLATION METHOD



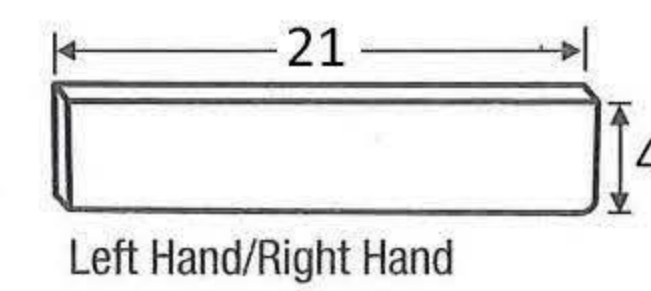
BOWLS



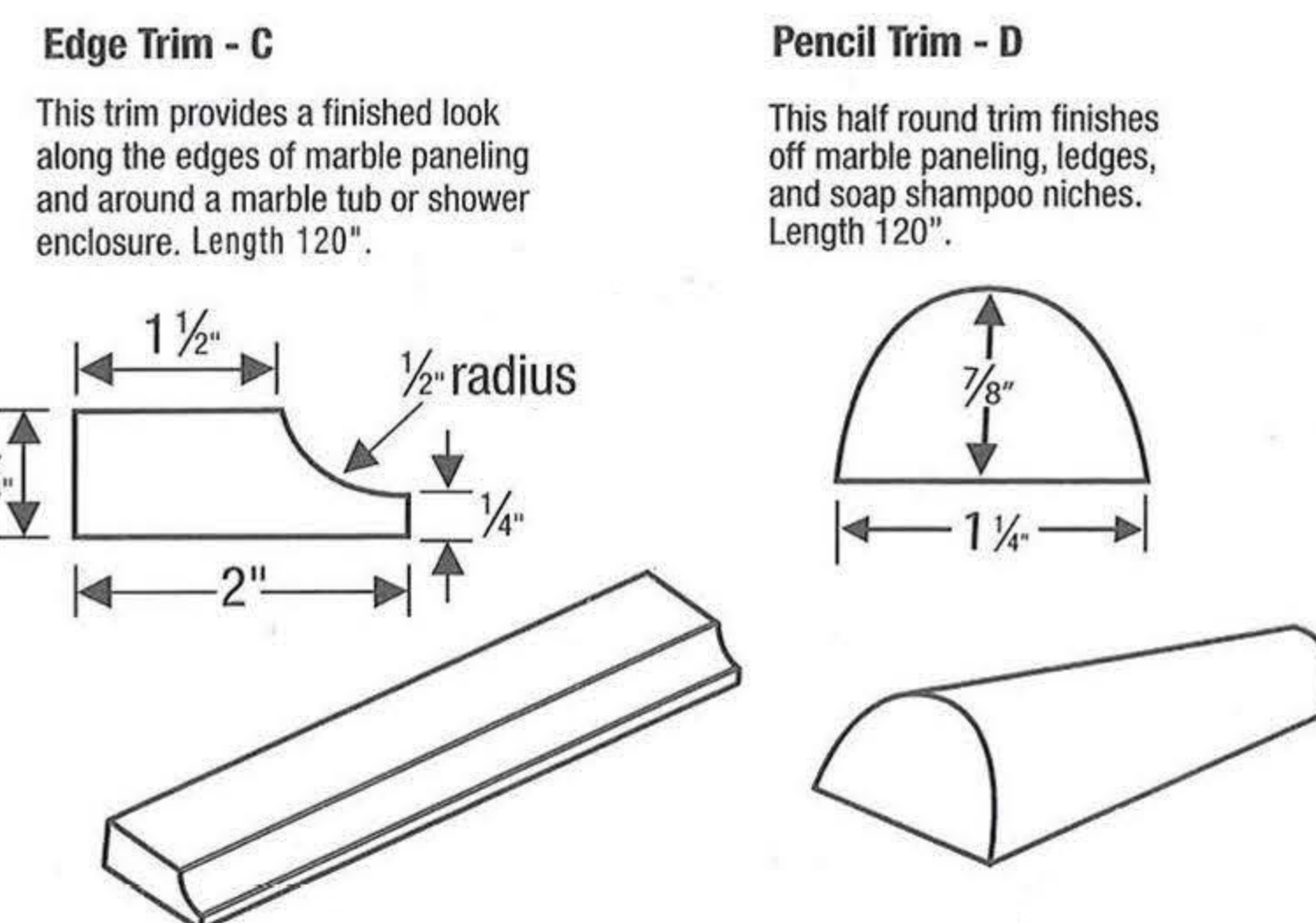
EDGE PROFILES



SIDE SPLASHES



TRIM PROFILES



All Dimensions in Inches

ALL CAST WEIGHTS AND CAPACITIES MAY VARY BY 5-10%
MOLD DESIGN AND PATTERNS MAY VARY SLIGHTLY
ALL DIMENSIONS ARE $\pm 1/4"$ DEPENDING ON PART SIZE

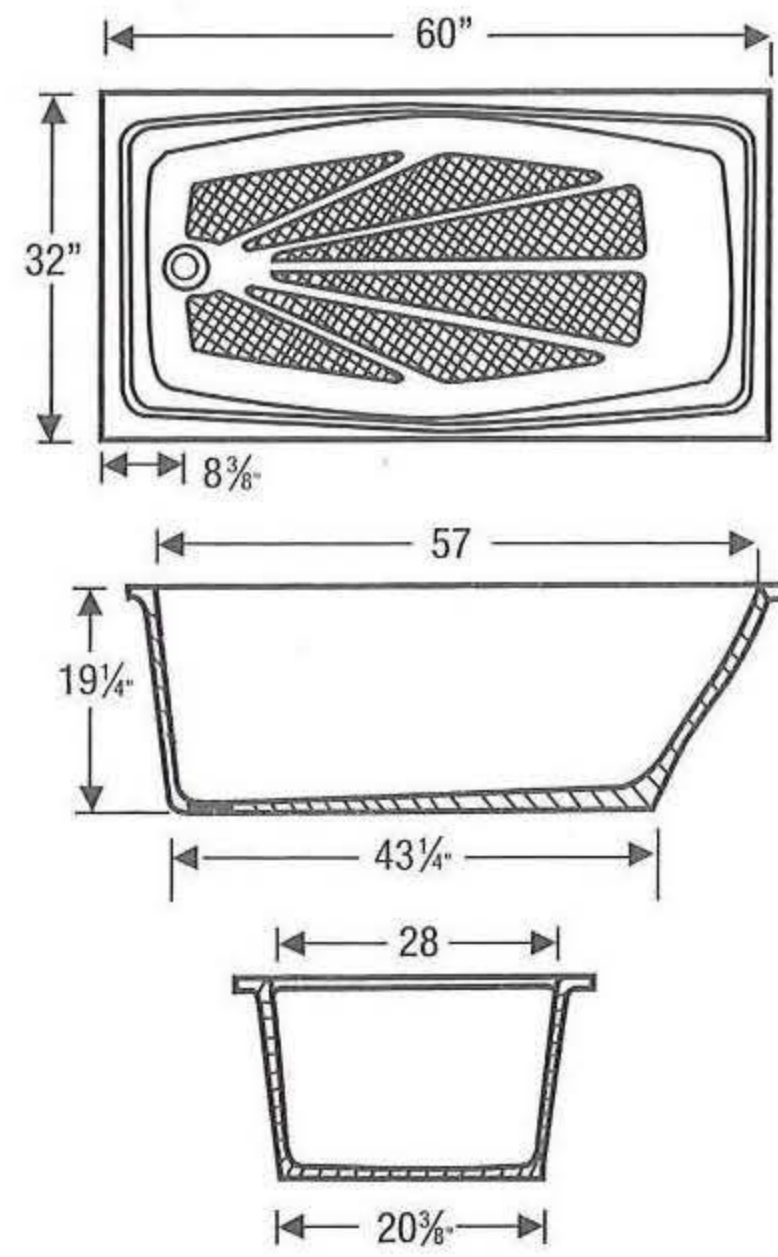
All Dimensions in Inches

5 FT. TUBS

Diamond Tub Mark 35 32 x 60

Diamond shape allows for extra shoulder width and soaking comfort, with added depth to accommodate a whirlpool system. It features a recessed deck and slip-resistant bottom.

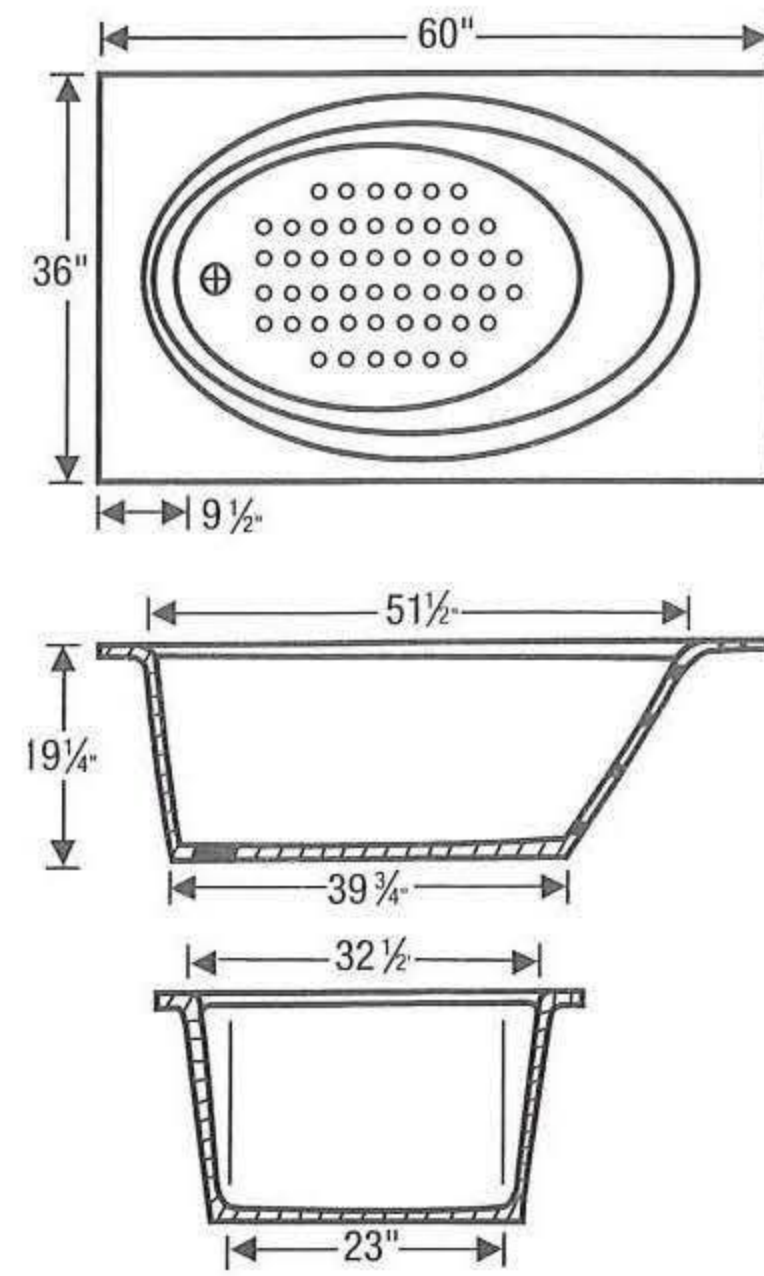
Cast Wt. of Tub: 150 lbs., Capacity of Tub 63 gal.
Deck drilling not available.



Oval Tub Mark 19 36 x 60

The perfect tub for remodeling jobs. It fits into most standard tub spaces, gives you added depth, can accommodate a whirlpool system and features a slip-resistant bottom.

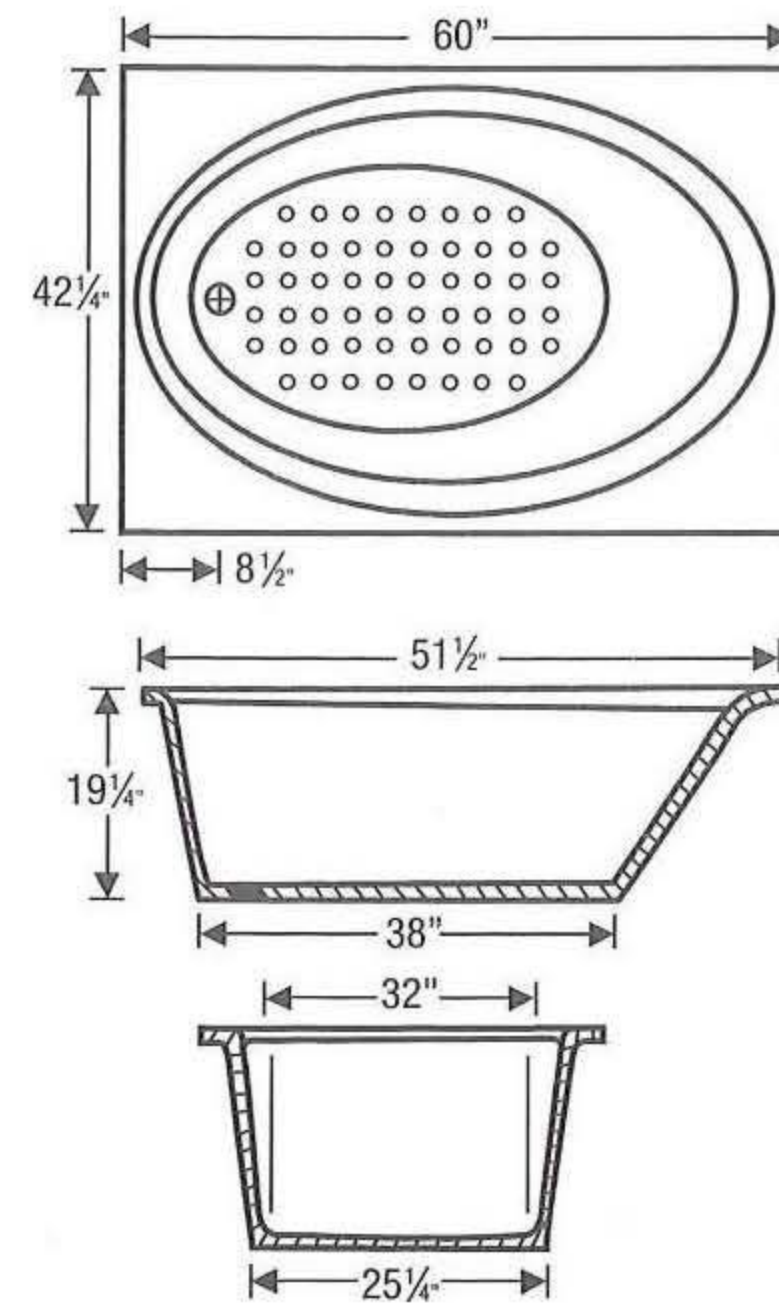
Cast Wt. of Tub: 155 lbs., Capacity of Tub: 55 gal.



Oval Tub Mark 21 42 x 60

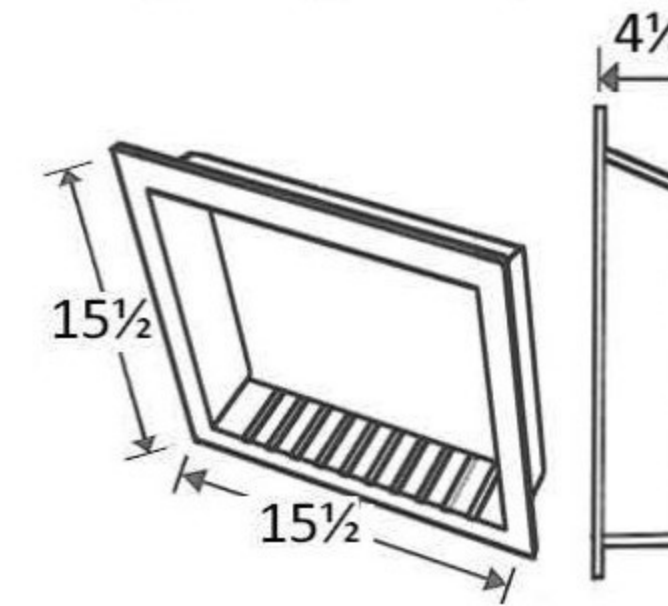
The spacious oval tub available in a standard 5' length. It is extra deep and extra wide for the ultimate in soaking comfort. It features a slip-resistant bottom and can accommodate a whirlpool.

Cast Wt. of Tub: 185 lbs., Capacity of Tub: 65 gal.

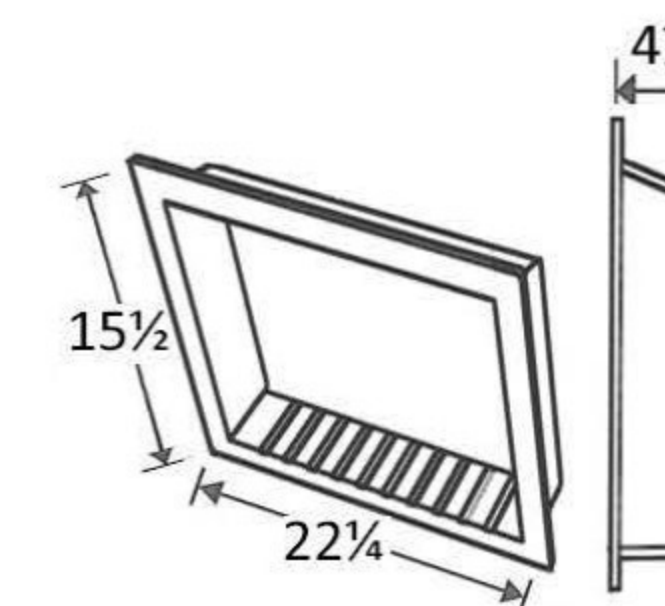


SOAP & SHAMPOO HOLDERS & NICHES

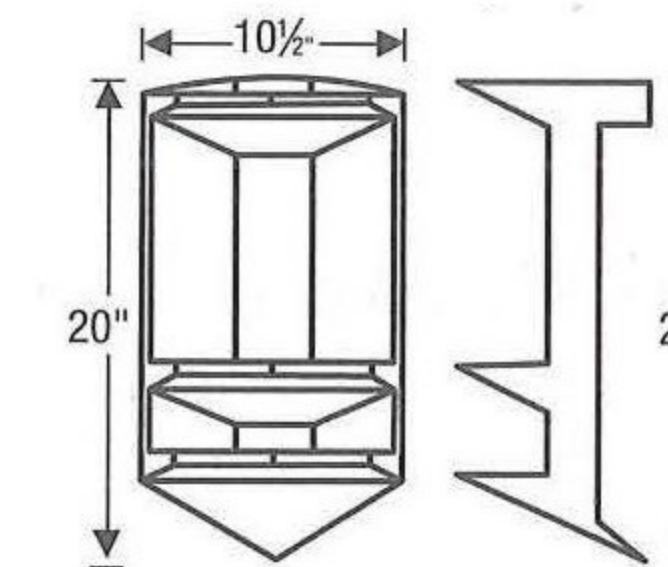
Large Recessed Soap /Shampoo Holder



X-Large Soap/Shampoo Holder



Corner Soap and Shampoo Holder

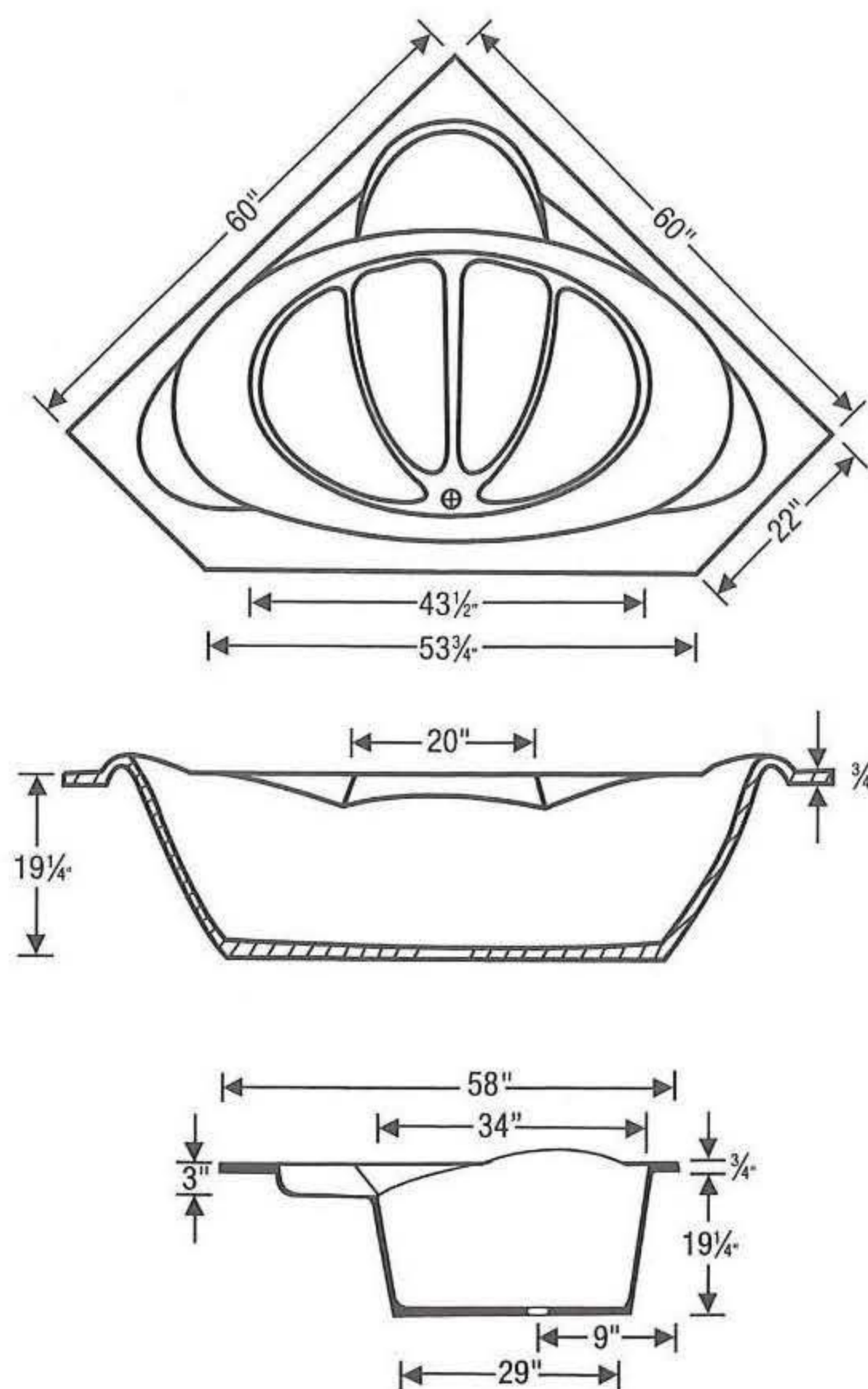


CORNER TUBS

Corner Tub Mark 44 60 x 60

Classic style corner tub in a space saving design. It features a double head rest and a slip-resistant bottom. Whirlpool system can be incorporated.

Cast Wt. of Tub: 205 lbs., Capacity of Tub: 68 gal.

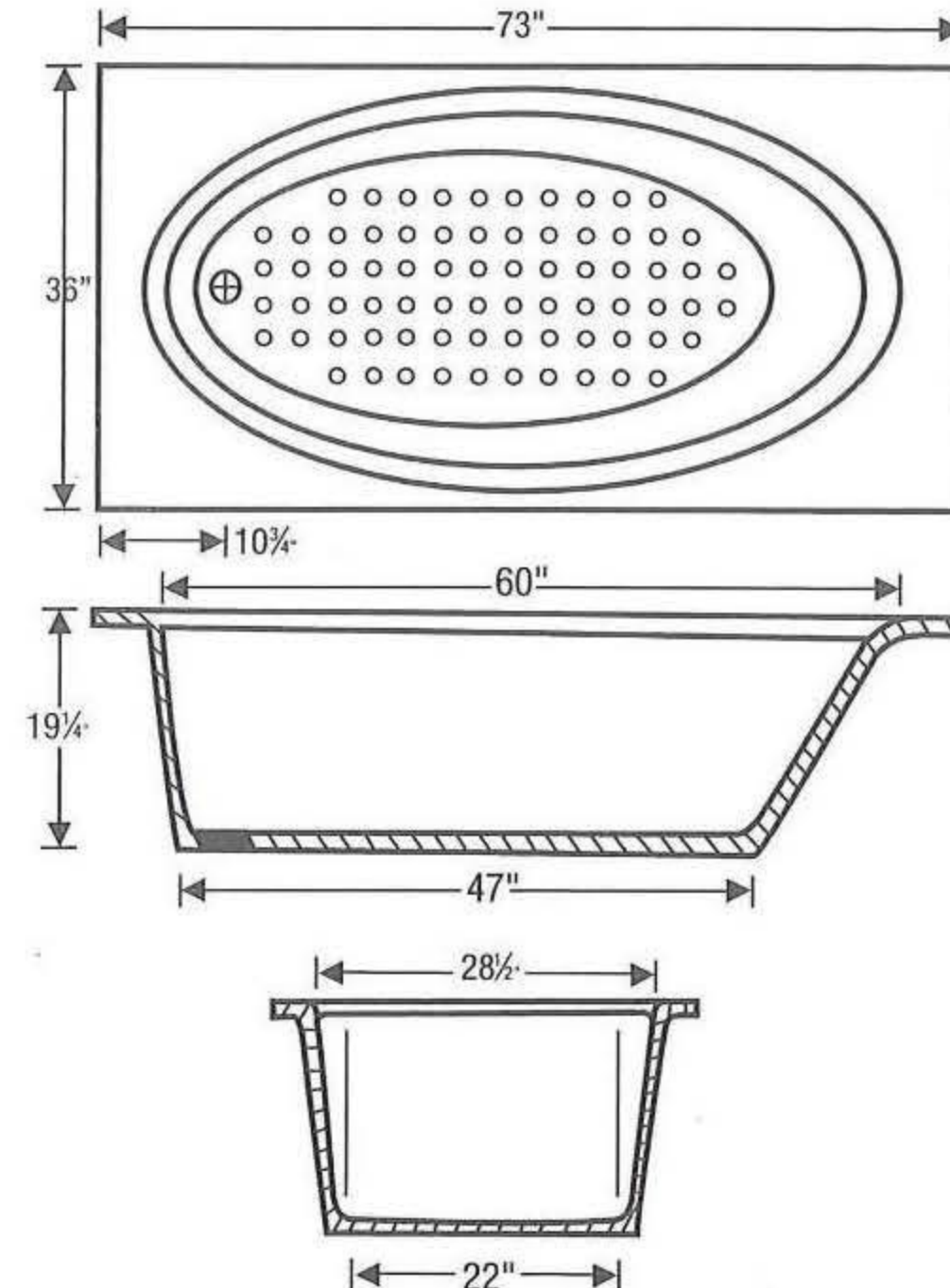


6 Ft. TUBS

Oval Tub Mark 22 36 x 73

Large, extra deep, 6' tub with 5' long bathing area with slip-resistant bottom. Whirlpool system can be incorporated.

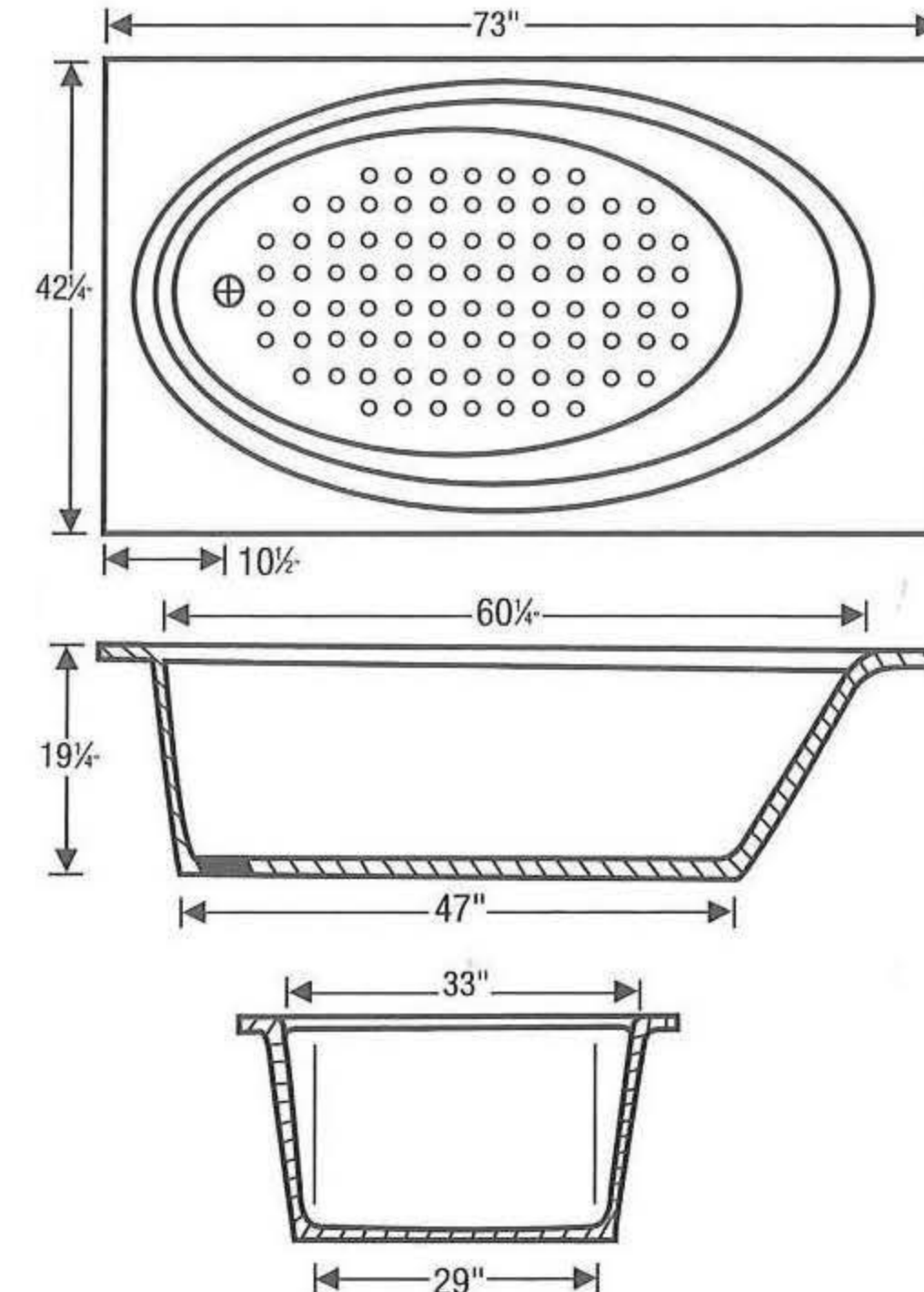
Cast Wt. of Tub: 205 lbs., Capacity of Tub 68 gal.



Oval Tub Mark 17 42 x 73

A 6' long, extra deep tub. Ideal for today's more luxurious bathrooms. Slip-resistant bottom. Adaptable for whirlpool.

Cast Wt. of Tub: 205 lbs. Capacity of Tub: 79 gal.



WHIRLPOOL SPECIFICATIONS

- Pump:** Self-priming, 3/4 horsepower pump.
- Switching:** Pneumatic switch that can be used inside the tub
- Drainage:** Eliminates all water in the system.
- Bonding:** Watertightness is assured with P.V.C. cement positive coupling
- Jets:** Six jets are standard
- Colors:** Polished brass, brushed nickel, chrome, oil rub bronze & assorted colors
- Approvals:** IAPMO listed-SP1010, Underwriters Laboratories approval of electrical components; City of Los Angeles
- Piping:** Schedule 40, rigid P.V.C or P.V.C. Flex Pipe. Exclusive Heat Box is used for rapid, safe bending of rigid pipe.
- Minimum Stud Clearance:**
Jets - 2 1/2" to 3 1/2"; Elbows - 2 1/2"
- In-line Heater:**
Available upon request on larger tubs.